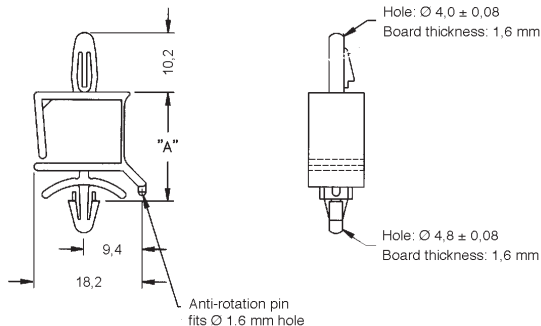


HLCBS / PCBEH

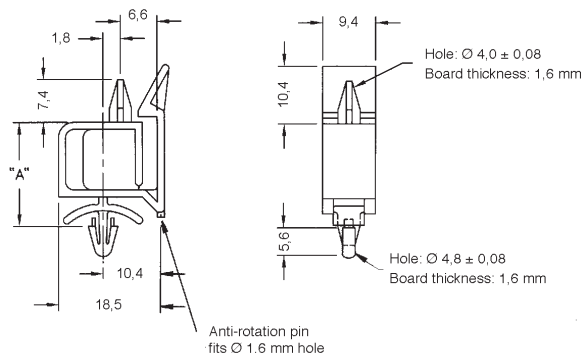
HINGED LOCKING CIRCUIT BOARD SUPPORT;
PRINTED CIRCUIT BOARD EDGE HOLDER

Part No.		"A" mm
HLCBS-7-01	PCBEH-7-01	11.9
HLCBS-10-01	PCBEH-10-01	16.8
HLCBS-14-01	PCBEH-14-01	23.1

HLCBS



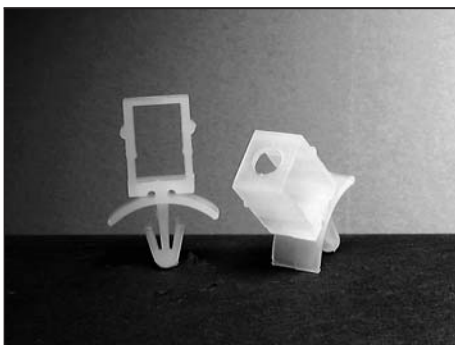
PCBEH



Note:

HLCBS	7	01
Part	Length	Material Code

Material: Nylon 6/6 - natural; UL 94 V-2, RMS-01
Std. Pk.: 1.000 pcs.

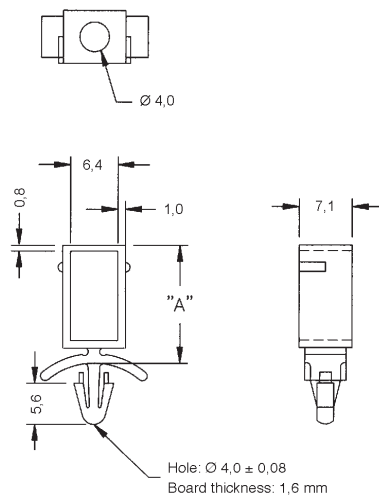


CBSS

CIRCUIT BOARD STACKING SPACER

Part No.	"A" mm
CBSS-8-01	10.9
CBSS-10-01	14.0
CBSS-12-01	17.3
CBSS-14-01	20.3

Part Number MB-1-156 to top off stack.



Note:

CBSS	7	01
Part	Length	Material Code

Material: Nylon 6/6 - natural; UL 94 V-2, RMS-01
by special order:
Nylon 6/6 - natural; UL 94 V-0, RMS-19
Std. Pk.: 1.000 pcs.